

DIMENSIONING CONVEOR ROLLERS

KUNDE OPLYSNINGER

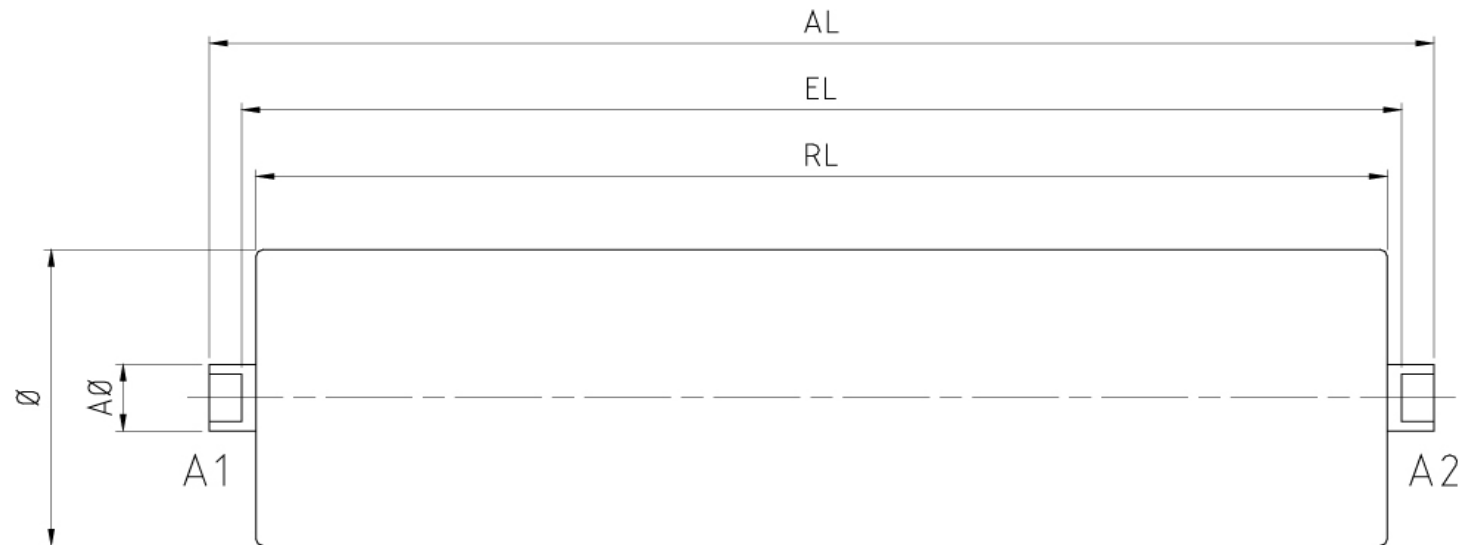
Name		Date	
Address		Order no.	
		Tel.	
Deliver address		Ordered by	
		Delivery date	

RULLEBESKRIVELSE

Quantity	pc.	
Diameter	\emptyset	
Width of roller	RL	
Mount dimension	EL	
Axle length	AL	
Axle diameter	A \emptyset	
Axle profile side 1	A1	
Axle profile side 2	A2	

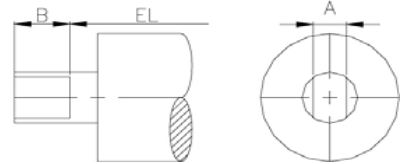
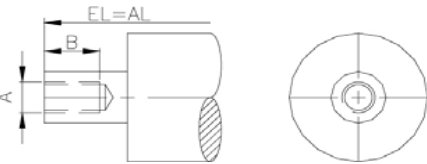
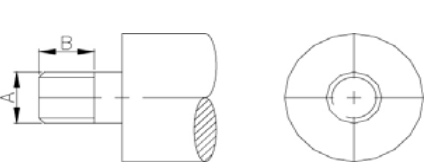
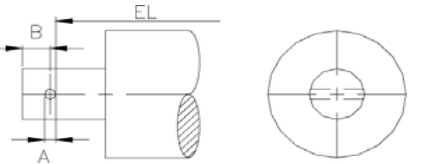
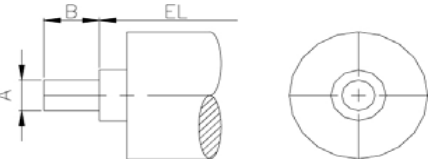
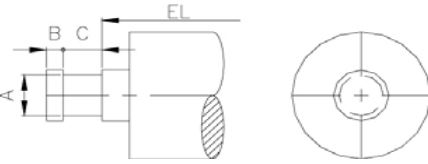
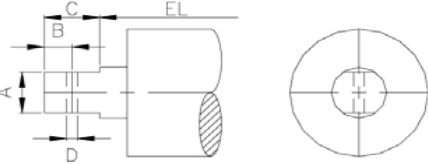
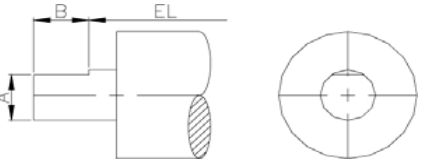
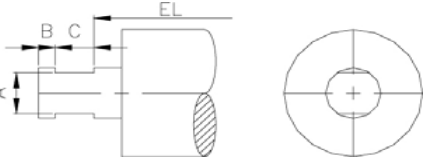
Rubber coating	
Support type A	
Support type B	
Support type C	

Other notes:



DIMENSIONING CONVEOR ROLLERS

AXLE PROFILES

	<p>TYPE 1 - NV</p> 	<p>TYPE 2 - I/G</p> 	<p>TYPE 3 - U/G</p> 	<p>TYPE 4 - SPLIT</p> 
	<p>TYPE 5 - TAP</p> 	<p>TYPE 6 - REDUCTION</p> 	<p>TYPE 7 - NV M/SPLIT</p> 	<p>TYPE 8 - HALF NV</p> 
	<p>TYPE 9 - FORKED GROOVE</p> 	<p>TYPE 10 - HALF FORKED GROOVE</p> 